



PASVE® is a ball-type mounting & service valve for SATRON VG and HG type level and pressure transmitters. **PASVE®** makes it simple to disconnect the transmitter from the process for maintenance and cleaning, without stopping the process or draining the tank.

PASVE® is available in a manually operated type or equipped with a pneumatic actuator.

TECHNICAL SPECIFICATIONS

Transmitter connection

G1 female, seat accepts SATRON VG-transmitters.

Max. operating pressure/temperature

Pressure 40 bar, temperature 250 °C, (see the appended table).

Min. operating temp. -50 °C.

PVDF: See the appended table.

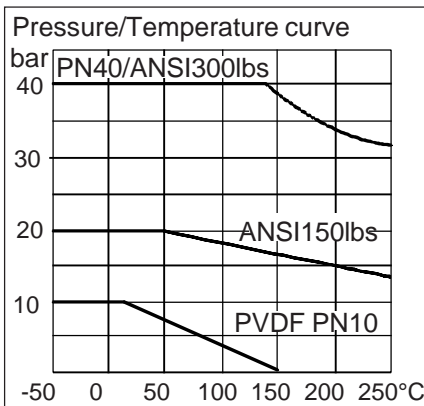
Materials

Wetted parts: AISI316L, AISI904L, Duplex, Hastelloy C276, Titanium, for **F** type also PVDF. Seals PTFE or PTFE with carbon and graphite filling.

Weight

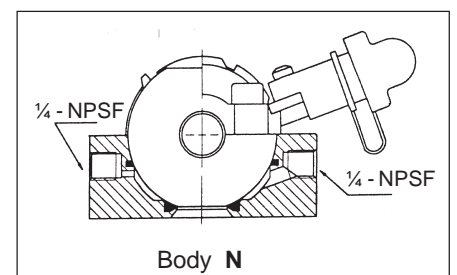
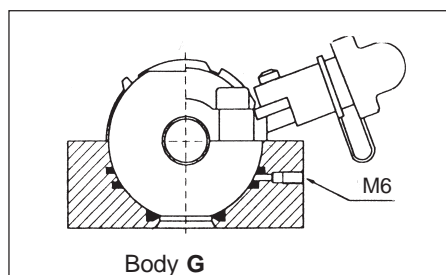
PASVE GC 4.3 kg, PASVE GP 4.2 kg,

PASVE GF 8.4 kg, Actuator 5.5 kg



Selection table

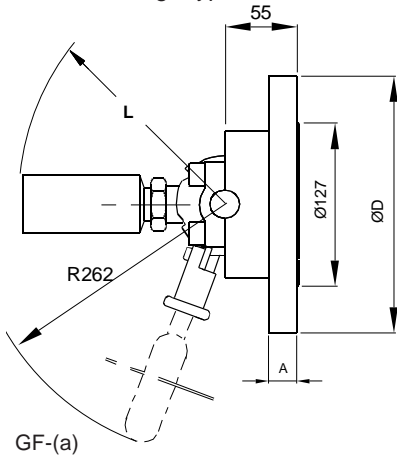
PASVE	<input type="checkbox"/>	<input type="checkbox"/>	<input type="checkbox"/>	<input type="checkbox"/>	<input type="checkbox"/>	<input type="checkbox"/>	<input type="checkbox"/>	<input type="checkbox"/>	<input type="checkbox"/>	<input type="checkbox"/>	<input type="checkbox"/>	
Body												
G	Standard model (with 3 seals)											
N	Flushing (with 2 seals)											
Mounting												
	Wetted parts (C and P)											
	Code	Material										
C	On container	2	AISI316L (std.)									
P	On pipe	3	Hastelloy C									
		4	AISI904L									
		6	Titanium									
F	On flange	8	Duplex									
Flanges	Wetted parts											
	Code	Type	Code	Material								
T	DN50 PN40	(only manual)	2	AISI316L								
			3	Hastelloy®C276								
D	DN80 PN40		4	AISI904L								
J	DN100 PN10/16		6	Titanium								
C	DN100 PN40		8	Duplex (EN1.4462)								
K	ANSI 2½"/150lbs	(only manual)	P1	PVDF PN10								
			(P1 only for flange codes D,A,E)									
A	ANSI 3"/150 lbs											
B	ANSI 3"/300 lbs											
H	ANSI 4"/150 lbs											
G	ANSI 4"/300 lbs											
Seals												
0	PTFE + 20C + 5Gr (std.)											
1	PTFE 100%											
4	PTFE + 20C + 5Gr / AISI316 / PTFE 50 % (Hard)											
5	PTFE 100% / AISI316 / PTFE 50% (Hard)											
6	PTFE 100% / PVDF 100% (Hard)											
Pt100 temperature sensor	(Only with body code N)											
0	No sensor											
X	With sensor (measuring range: -50...+200 °C)											
Actuator												
MD	No actuator (manually operated)		AE1	Electric actuator 230 V								
AD	Double-action actuator		AE3	Electric actuator 115 V								
AS	Spring-return actuator											
Solenoid valve type	(for codes AD and AS only)											
0	No solenoid valve										4	28 V DC 0.4 W (only EEx ia)
1	230 V AC 50 Hz 2 W (std.)											
2	24 V DC 2.5 W (also EEx dm)											
3	115 V AC 60 Hz 2 W											
Solenoid explosion proof												
0	No explosion proof										3	EEx dm IIC T5/T6
1	EEx m II T4											
2	EEx ia IIC T6											
Position switches												
0	None										A	Position switch EEx ib IIC T5/T6
X	Equipped with position switches										E	Position switch NAMUR, DIN 19234
Options												
Z1	For oxygen use					Z4	Cutting ball					
Z2	Process side flushing					Z5	Diamond-coated ball					
Documentation												
IE	English					IF	Finnish					
Material certificates												
0	No material certificate										MC2	SFS-EN 10204-2.2 (DIN50049-2.2)
MC1	SFS-EN 10204-2.1 (DIN50049-2.1)										MC3	SFS-EN 10204-3.1B (DIN50049-3.1B)
Specification example: PASVE G FD2 0 0 AD10 X IE MC1												



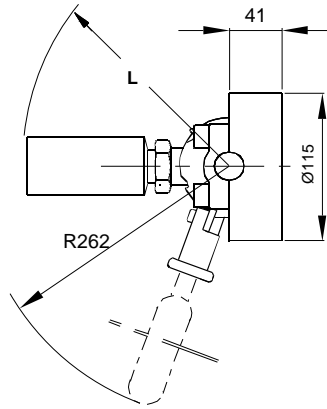
Dimensions (mm)

Manually operated

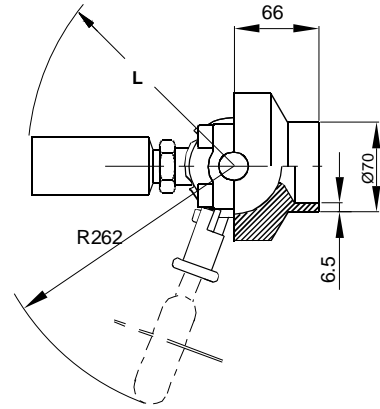
PASVE GF-(a)
NF-(a)
Flange type



PASVE GC
NC
Welded on container



PASVE GP
NP
Welded on pipe

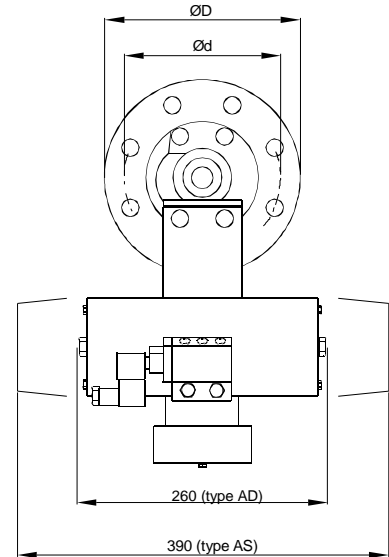
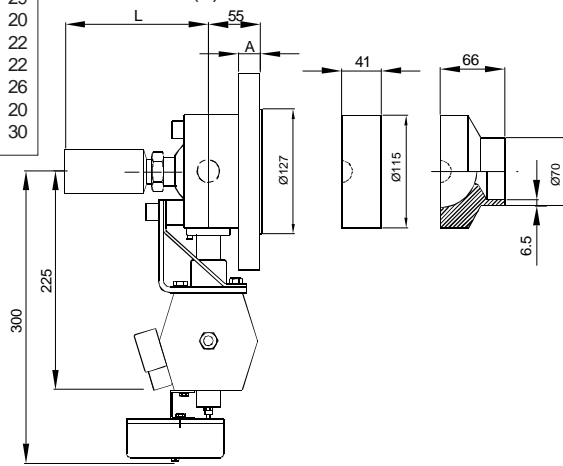


GF-(a)

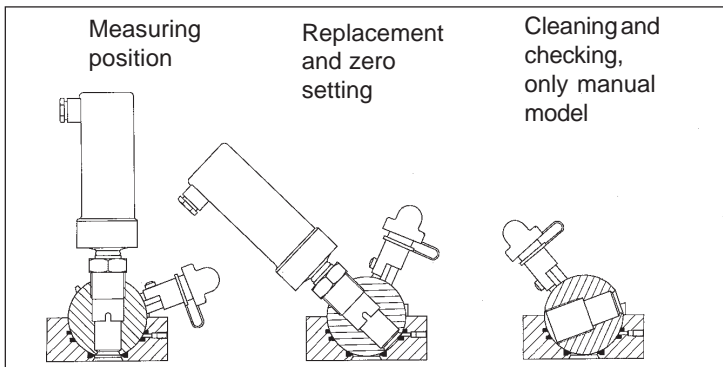
FLANGE		ØD	Ød	A
Code	Type			
K	ANSI 2½" 150 lbs	172	139.7	22
A	ANSI 3" 150 lbs	191	152.4	22
B	ANSI 3" 300 lbs	210	168.3	27
H	ANSI 4" 150 lbs	229	190.5	26
G	ANSI 4" 300 lbs	254	200	29
T	DN50 PN40	165	125	20
D	DN80 PN40	200	160	22
J	DN100 PN10/16	220	180	22
C	DN100 PN40	235	190	26
E	JIS10K 80	185	150	20
F	JIS40K 80	210	170	30

With pneumatic actuator

PASVE GF-(a) PASVE GC PASVE GP
NF-(a) NC NP



OPERATING POSITIONS



Surface temperature

Ambient temperature °C	Temperature class
70	T6
85	T5
120	T4

European Directive Information

ATEX directive (94/9/EC)
Satron Instruments Inc. complies with the ATEX directive.

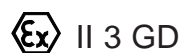
European Pressure Equipment Directive (PED) (97/23/EC)
- Sound Engineering Practice

We reserve the right for technical modifications without prior notice.

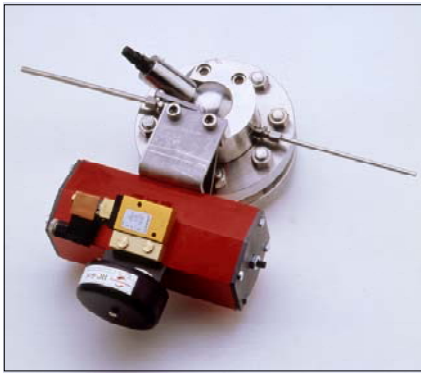
Teflon® is the registered trademark
of E.I. du Pont de Nemours & Co

Hastelloy® is the registered trademark
of Haynes International.

European Certification



Pasve® is the registered trademark of Satron Instruments Inc.



PASVE® pH is a mounting/service valve for pH sensors. It can be used with practically all pH sensors in this size category in the most demanding measurement locations.

PASVE® pH allows the cleaning and calibration of pH sensors without stopping the process. When required, this can be done automatically. To protect the sensor in abrasive processes, it can be turned to the measuring position only for the duration of the actual measurement.

PASVE® pH is available in a manually operated type or equipped with a pneumatic or electric actuator.

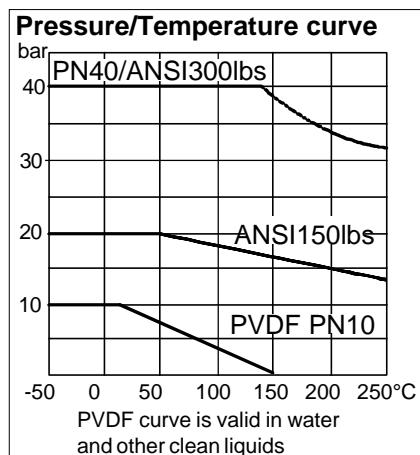
TECHNICAL SPECIFICATIONS

Compatible pH sensors

Refer to the Selection Table.

Max. operating pressure/temperature

40 bar, 250 °C, (see the below table).
Min. operating temp. -50°C.
Sensor-specific limitations should be taken into account by the application.



Materials

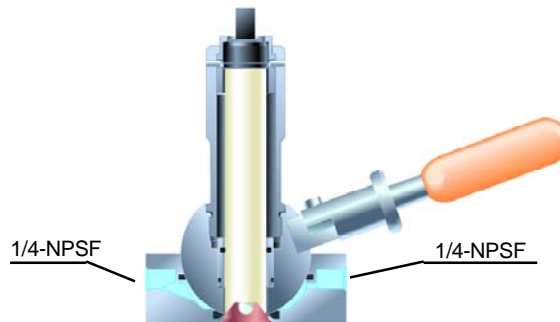
Wetted parts: AISI316L, AISI904L, Titanium, Hastelloy® C276, Duplex, 254 SMO® and PVDF.

Seals: PTFE, PTFE with carbon and graphite filling or PTFE 50%+AISI316 50% mixture

Weight

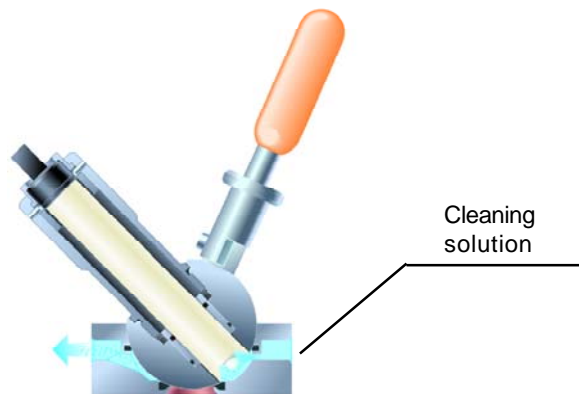
PASVE pH 4.7 kg, PASVE pH 4.8 kg,
PASVE pH 8.9 kg,
Actuator 5.5 kg

OPERATING POSITIONS



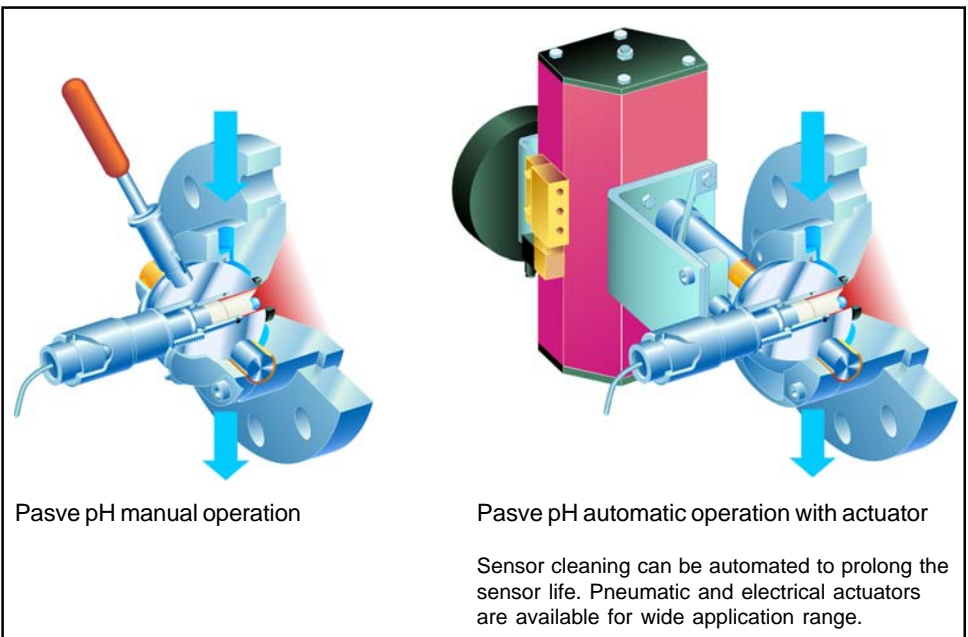
Measuring position

Sensor in measurement position.
(Flushing channel can be used for watercooling the sensor and valve)



Service and calibration position

Sensor is turned inside the valve for cleaning, calibrating or sensor change without stopping the process.



Pasve pH manual operation

Pasve pH automatic operation with actuator

Sensor cleaning can be automated to prolong the sensor life. Pneumatic and electrical actuators are available for wide application range.

Hastelloy is the registered trademark of Haynes International.

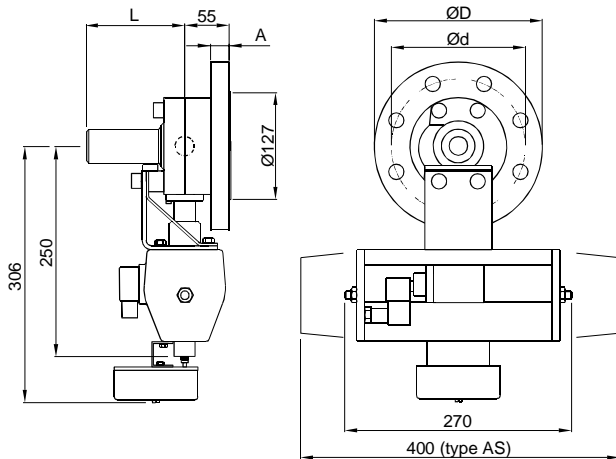
254 SMO is the registered trademark of Outokumpu Stainless Inc.

Pasve is the registered trademark of Satron Instruments Inc.

We reserve the right for technical modifications without prior notice.

Pasve pH with pneumatic actuator

PASVE pHF (Flange type)



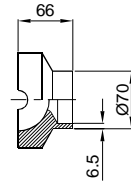
PASVE pHC

(Welded on a container or a horizontal pipe, instructions on manual page 10)



PASVE pHP

(Shape the body for the pipe Ø before welding, instructions on manual page 11)

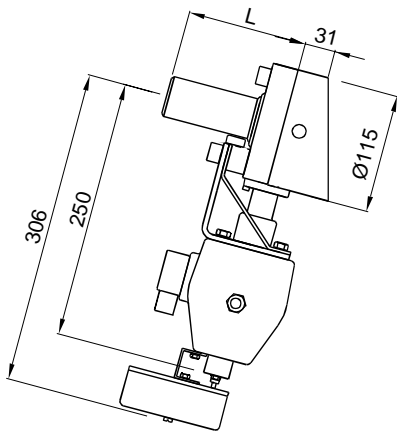


PASVE pHF

FLANGE		ØD	Ød	A
Code	Type			
K	ANSI 2½" 150 lbs	172	139.7	22
A	ANSI 3" 150 lbs	191	152.4	22
B	ANSI 3" 300 lbs	210	168.3	27
H	ANSI 4" 150 lbs	229	190.5	26
G	ANSI 4" 300 lbs	254	200	29
T	DN50 PN40	165	125	20
D	DN80 PN40	200	160	22
J	DN100 PN10/16	220	180	22
C	DN100 PN40	235	190	26
E	JIS10K 80	185	150	20
F	JIS40K 80	210	170	30

PASVE pHB

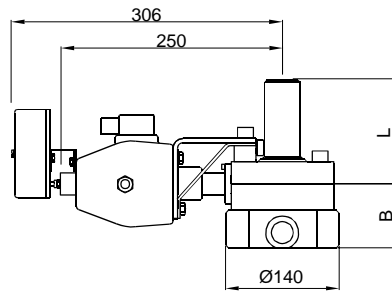
(Welded on a container or a vertical pipe, body 15°)



L depends on the sensor type

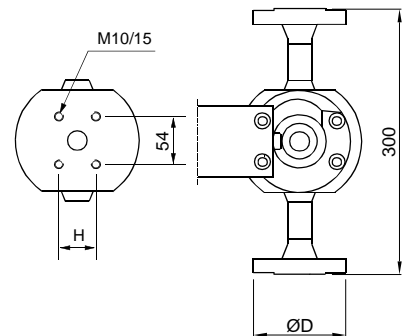
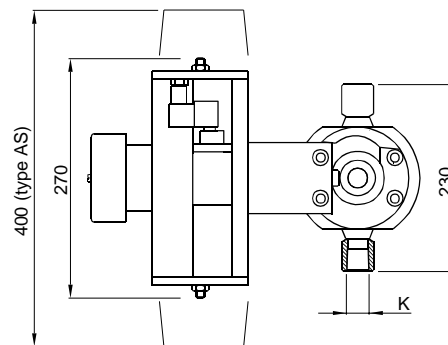
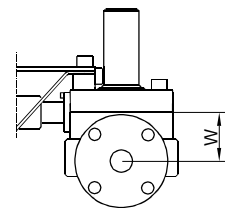
PASVE pHT

(Flow-through body, threaded connection)



PASVE pHD

(Flow through body, flange connection)



PASVE pHD

FLANGE		W	ØD	H
Code	Type			
H	ANSI 1" 150 lbs	55	108	48
J	ANSI 1" 300 lbs	55	124	48
U	ANSI 2" 150 lbs	68	153	76
V	ANSI 2" 300 lbs	68	165	76
G	DN25 PN40	55	115	48
T	DN50 PN40	68	165	76

PASVE pHT

THREAD		B	H
Code	Type (dim.K)		
2	1" - NPT	77	48
4	1.5" - NPT	92	64
5	2" - NPT	104	76

Dimensions (mm)

Sensor connection

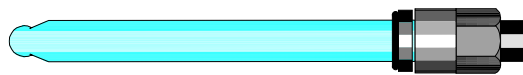
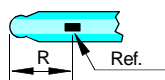
Standard sensor connection PG13.5 / Ø12 mm / length 120 mm

Code dimension R

S R < 30 mm

M R < 20 mm

L R < 10 mm

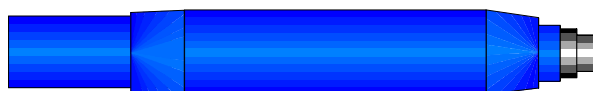
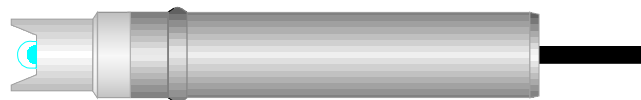


Check the sensor datasheet for the reference point location!

Special sensor connection types

Code Sensor

- B1** Broadley-James Dynaprobe II
- B2** Broadley-James S410
- B3** Broadley-James DynaProbe ST856
- C1** Honeywell Durafet II, smooth tip
- C2** Honeywell Meredian II and Durafet II guarded tip
- D1** Barben 546/556, flat glass, 38 mm insertion depth
- D4** Barben 551/561, flat glass, actual insertion depth 3.94"
- D6** in-line Barben 551/561, flat glass, 100 mm insertion depth (manual only)
- E3** E+H CPF81/82, guarded tip, not machined
- E4** E+H CPF81, flat glass, not machined
- F1** Foxboro 871A
- F2** Foxboro 871pH
- F3** Foxboro PH10-3
- F4** Foxboro PH10-2
- F5** in-line Foxboro PH10-2 (manual only)
- G1** Lange (GLI) PD1P1.99
- G2** Lange (GLI) DPD1P1.99
- GX** +GF+ 272X, flat glass
- H1** Hamilton Inchtrode N75P
- H2** Hamilton Inchtrode N75F
- I1** Teledyne Isco 701pH
- K1** Kemotron 4835 and 4837 UPW
- O2** Orbisphere (31110)
- P1** Polymetron 8350/51
- R1** Rosemount/Emerson 389
- R2** Rosemount/Emerson 385+
- R4** Rosemount/Emerson TUpH 396/396VP, 398/398VP
- R5** in-line Rosemount/Emerson TUpH Combination 396P/PVP (manual only)
- R6** Rosemount/Emerson TUpH Combination 396P/PVP
- R9** Rosemount/Emerson 3300HT/HTVP
- RA** Rosemount/Emerson 3500VP
- RB** Rosemount/Emerson RB-546
- RC** Rosemount/Emerson 3900/3900VP
- T1** ABB TB556, flat glass, 38 mm insertion depth
- T2** ABB TB557, flat glass
- T3** ABB TB564, flat glass
- T4** ABB TB561 / Barben 551/561, flat glass, 100 mm insertion depth
- T5** in-line ABB TB564 (manual only), flat glass
- T6** in-line ABB TB561 (manual only), flat glass, 100 mm insertion depth
- T7** ABB TB556, flat glass, 28 mm insertion depth
- Y1** Yokogawa FU20 -- NPT (guarded tip)
- Y2** Yokogawa FU20 -- FSM (flat glass)



Surface temperature

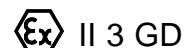
Ambient temperature °C	Temperature class
70	T6
85	T5
120	T4

European Directive Information

ATEX directive (94/9/EC)
Satron Instruments Inc. complies with the ATEX directive.

European Pressure Equipment Directive (PED) (97/23/EC)
- Sound Engineering Practice

European Certification:



Selection Table																			
PASVE pH																			
Mounting type				Wetted parts (C, B and P)															
C	Welded on a container or a horizontal pipe (*)	Code	Material																
B	Welded on a container or a vertical pipe, body 15°	2	AISI316L (EN 1.4404), std.																
P	Body with a weld neck (**)	3	Hastelloy® C276 (EN 2.4819)																
F	Flange mounting	4	AISI904L (EN 1.4539)																
T	Flow-through body, threaded connection	6	Titanium Ti-2 (EN 3.7035)																
D	Flow-through body, flange connection	8	Duplex (EN 1.4462)																
		K	254 SMO®																
Process connection type, specified for mounting type F																			
Flanges				Flanges				Wetted parts											
Code	Type	Code	Type	Code	Material														
T	DN50 PN40 (***)	A	ANSI 3"/150 lbs	2	AISI316L (EN 1.4404)														
D	DN80 PN40	B	ANSI 3"/300 lbs	3	Hastelloy® C276 (EN 2.4819)														
J	DN100 PN10/16	H	ANSI 4"/150 lbs	4	AISI904L (EN 1.4539)														
C	DN100 PN40	G	ANSI 4"/300 lbs	6	Titanium Ti-2 (EN 3.7035)														
K	ANSI 2½"/150 lbs (***)	E	JIS 10K 80	8	Duplex (EN 1.4462)														
		F	JIS 40K 80	K	254 SMO®														
				P1	PVDF PN10 (***)														
					(P1 only suitable for flange codes D,A,E)														
Process connection type, specified for mounting type T																			
Threads				Wetted parts															
Code	Type	Code	Material																
2	1" - NPT	2	AISI316L (EN 1.4404)																
4	1.5" - NPT	3	Hastelloy® C276 (EN 2.4819)																
5	2" - NPT	4	AISI904L (EN 1.4539)																
		6	Titanium Ti-2 (EN 3.7035)																
		8	Duplex (EN 1.4462)																
		K	254 SMO®																
Process connection type, specified for mounting type D																			
Flanges				Flanges				Wetted parts											
Code	Type	Code	Type	Code	Material														
G	DN25 PN40	U	ANSI 2"/150	2	AISI316L (EN 1.4404)														
M	DN40 PN40	V	ANSI 2"/300	3	Hastelloy® C276 (EN 2.4819)														
T	DN50 PN40	K	JIS 10K 25	4	AISI904L (EN 1.4539)														
H	ANSI 1"/150	R	JIS 10K 40	6	Titanium Ti-2 (EN 3.7035)														
J	ANSI 1"/300	S	JIS 10K 40	8	Duplex (EN 1.4462)														
N	ANSI 1.5"/150	X	JIS 10K 50	K	254 SMO®														
P	ANSI 1.5"/300	L	JIS 40K 25																
		Y	JIS 40K 50																
Seals																			
0	PTFE + 20C + 5Gr / FPM (std.)	4	PTFE + 20C + 5Gr / FPM+AISI316 / PTFE 50 % (Hard)																
1	PTFE 100% / FPM	5	PTFE 100% / FPM+AISI316 / PTFE 50% (Hard)																
2	PTFE +20C+5Gr / FFPM	6	PTFE 100% / FPM + PVDF 100% (Hard)																
3	PTFE 100% / FFPM	7	PTFE + 20C + 5Gr / EPDM																
		8	PTFE 100% / EPDM																
Sensor connection																			
Sensor connection types, see page 3																			
Pt100 temperature sensor																			
0	No sensor																		
X	With sensor (Measuring range -50 ... +200°C)																		
Actuator																			
MD	No actuator (manually operated)	AE1	Electric actuator 230 V 50 Hz																
AD	Double-action actuator	AE3	Electric actuator 115 V 60 Hz																
AS	Spring-return actuator	A0	No actuator, fittings to the actuator																
Solenoid for actuator (only for actuator types AD and AS)																			
0	No solenoid valve	2	24 V DC 2.5 W (also EEx dm)	4	28 V DC 0.4 W (EEx ia)														
1	230 V AC 50 Hz 2 W (as standard)	3	115 V AC 60 Hz 2 W																
Solenoid explosion proof																			
0	No explosion proof	2	EEx ia IIC T6 (only 28V)																
1	EEx m II T5	3	EEx dm IIC T5/T6 (only 24V)																
Position switches																			
0	None	A	Position switch EEX ib IIC T5/T6																
X	Equipped with position switches																		
E	Position switch NAMUR, DIN 19234																		
Special options (not available for all configurations, ask for compatibility)																			
Z1	For oxygen use	Z4	Cutting ball																
Z2	Process side flushing	Z5	Diamond-coated ball																
Z3	Actuator (AS) reverse action	Z7	Process side flushing through the ball, only Ø12 / L = 120mm sensors																
Documentation																			
Installation and operating instructions																			
IE	English																		
IF	Finnish																		
Material certificates																			
0	No material certificate																		
MC1	SFS-EN 10204-2.1 (DIN50049-2.1)																		
MC2	SFS-EN 10204-2.2 (DIN50049-2.2)																		
MC3	SFS-EN 10204-3.1B (DIN50049-3.1B)																		
				(*) = Pipe Ø>DN60 with disassembly before welding, more information on manual page 10															
				(**) = Body can be shaped to fit pipe with Ø>DN70															
				(***) = Only available with manual operation MD															

Specification example: PASVE pH D U2 0 O2 X AD3 1 E Z1 IEMC1